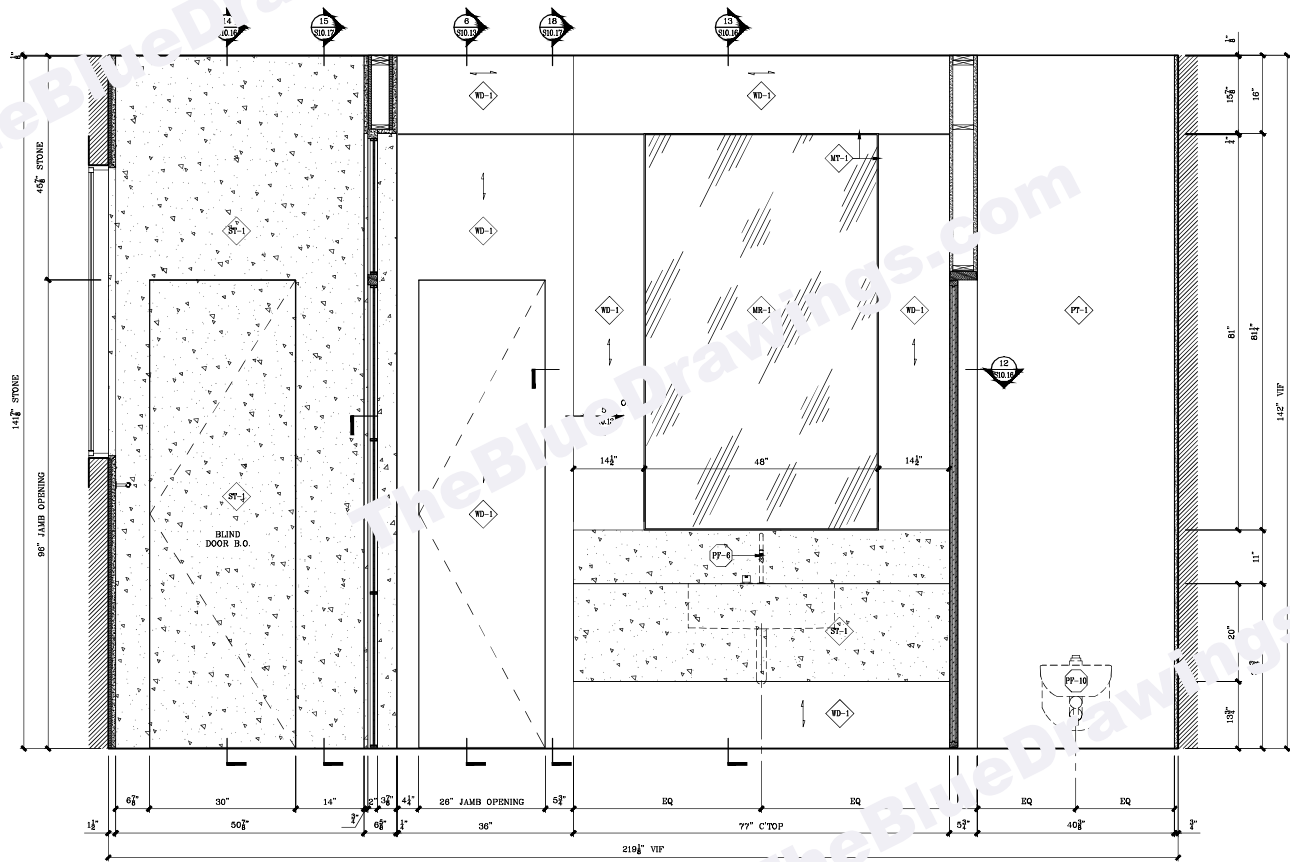


ALL PLANK CUTOUTS
TO BE DONE IN
FIELD AS REQ'D



F ELEVATION
SCALE: 1"=1'-0"

SPECIFICATIONS

FINISHES	
WD-1	WOOD FINISH - WHITE OAK
ST-1	STONE - TBD
GL-1	GLASS - TBD
MR-1	MIRROR - TBD
MT-1	METAL FINISH - TBD
PT-1	PLASTER FINISH - TBD

HARDWARE	
PLEASE PROVIDE APPROVED DOORS HARDWARE SETS	

PLUMBING	
PF-1	BATH TUBE B.O. - WATERWORKS #5047H 66"X32"X22"
PF-2	HYDROSTATIC MIXER B.O. - VOLA #541C-071, 68 SILVER FINISH
PF-3	THERMOSTATIC MIXER B.O. - VOLA #5471-021A, 68 SILVER FINISH
PF-4	TOWEL BAR B.O. - VOLA #719 24", 68 SILVER FINISH
PF-5	ROBE HOOK B.O. - VOLA #717, 68 SILVER FINISH
PF-6	FAUCET B.O. - VOLA #590H, 68 SILVER FINISH
PF-7	SLOTTED PUSH B.O. - VOLA #A82, 68 SILVER FINISH
PF-8	PAPER HOLDER B.O. - VOLA #712-HP, 68 SILVER FINISH
PF-9	TOILET EQUIPMENT B.O. - TBD
PF-10	TOILET B.O. - TBD

APPLIANCE & EXCLUSIONS	

APPROVED/NO CHANGES
APPROVED/AS NOTED
REVISE AS NOTED/RESUBMIT

SIGNATURE _____ DATE _____

LEGEND

ELEVATION No	CABINET No	FIELD JOINT
DRAWING No	NOTES	SHOP JOINT
ITEM No	SPECIFICATIONS	

REVISIONS

NO.	DATE	DESCRIPTION
1	11/17/21	
2		
3		
4		
5		
6		

ABBREVIATIONS

SYMBOL	DESCRIPTION
	CABINET
	DRAWING
	ELEVATION
	FIELD JOINT
	ITEM
	NOTES
	SPECIFICATIONS
	SHOP JOINT
	TOWEL BAR
	TUB
	VANITY
	WATERWORKS

12230
POMPA
1000 POND CIRCLE
MOUNTAIN VIEW, CO 80501

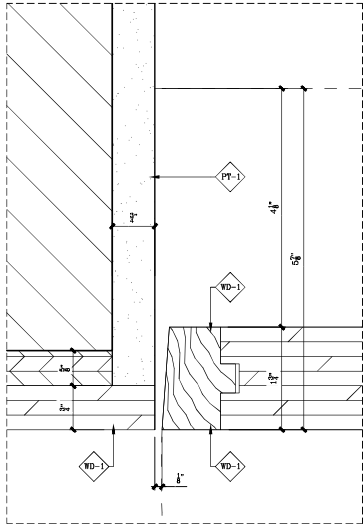
COMPANY: **POMPA**
1000 POND CIRCLE
MOUNTAIN VIEW, CO 80501

MASTER BATH

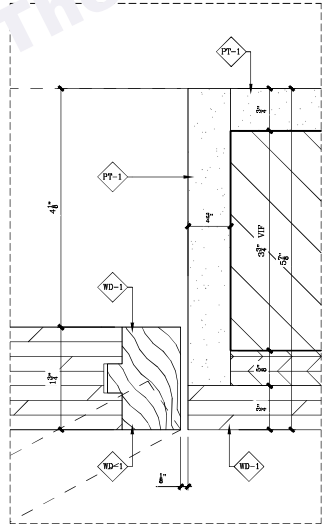
DWN BY:	SCALE:	DWG. NO.:
CEM	AS NOTED	19

PLEASE PROVIDE
APPROVED DOOR
HARDWARE SET

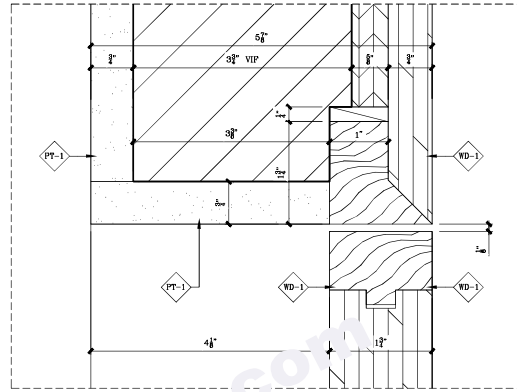
GC HAS THE INTERIOR DOOR SELECTIONS
METAL DOORS HARDWARE BY METAL
WORKER AND WE WILL COORDINATE WITH
HIM DIRECTLY



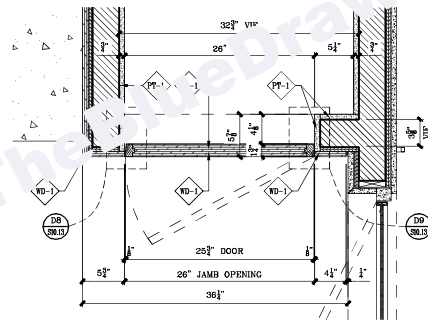
D8 DETAIL
SCALE: FULL



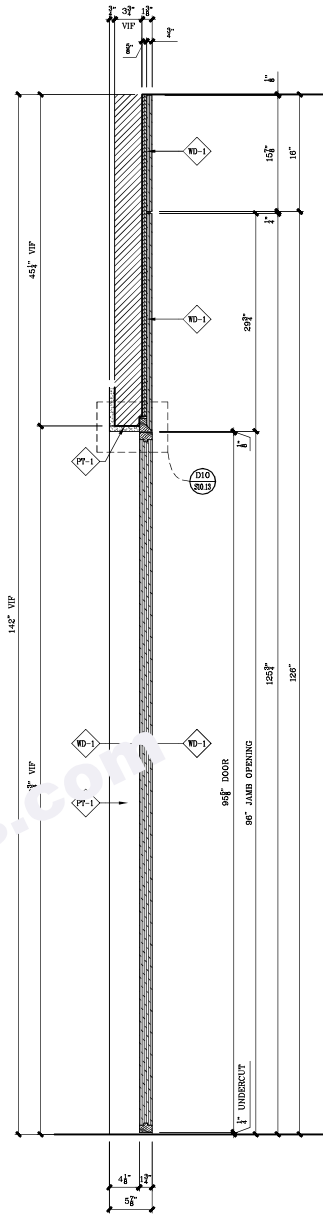
D9 DETAIL
SCALE: FULL



D10 DETAIL
SCALE: FULL



5 PLAN SECTION
SCALE: 1-1/2"=1'-0"



6 VERTICAL SECTION
SCALE: 1-1/2"=1'-0"

SPECIFICATIONS

FINISHES	
WD-1	WOOD FINISH - WHITE OAK
ST-1	STONE - TBD
GL-1	GLASS - TBD
MR-1	MIRROR - TBD
MT-1	METAL FINISH - TBD
PT-1	PLASTER FINISH - TBD

HARDWARE	
PLEASE PROVIDE APPROVED DOORS HARDWARE SETS	

PLUMBING	
PF-1	BATH TUBE B.O. - WATERWORKS #5047H 60"X30"X28"
PF-2	HYDROSTATIC MIRR B.O. - VOLA #541C-071, 68 SILVER FINISH
PF-3	THERMOSTATIC MIXER B.O. - VOLA #547-021A, 68 SILVER FINISH
PF-4	TOWEL BAR B.O. - VOLA #719 28", 68 SILVER FINISH
PF-5	ROBE HOOK B.O. - VOLA #717, 68 SILVER FINISH
PF-6	FAUCET B.O. - VOLA #590H, 68 SILVER FINISH
PF-7	SLOTTED PUSH B.O. - VOLA #AB2, 68 SILVER FINISH
PF-8	PAPER HOLDER B.O. - VOLA #712-HP, 68 SILVER FINISH
PF-9	TOILET EQUIPMENT B.O. - TBD
PF-10	TOILET B.O. - TBD

APPLIANCE & EXCLUSIONS	

APPROVED/NO CHANGES
APPROVED/AS NOTED
REVISE AS NOTED/RESUBMIT

SIGNATURE _____ DATE _____

LEGEND

	ELEVATION No		CABINET No		FIELD JOINT
	DRAWING No		NOTES		SHOP JOINT
	ITEM No		SPECIFICATIONS		

REVISIONS

No.	Date	By	Description
1			
2			
3			

ABBREVIATIONS

Abbreviation	Meaning

12230

12230
12230
12230

12230
12230
12230

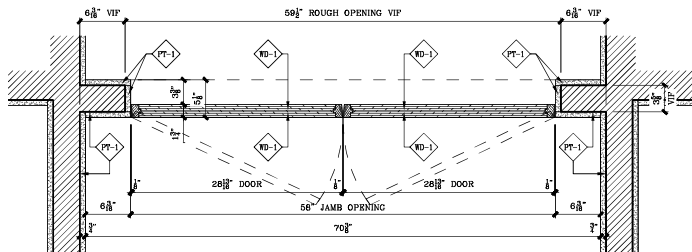
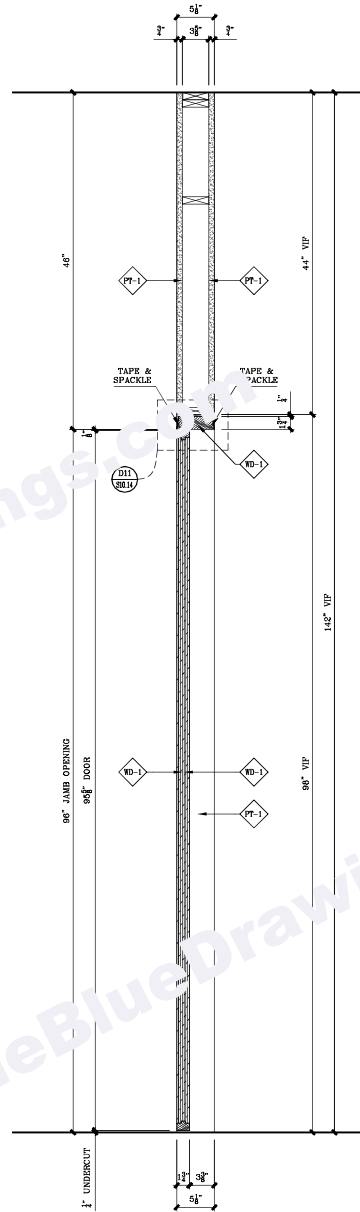
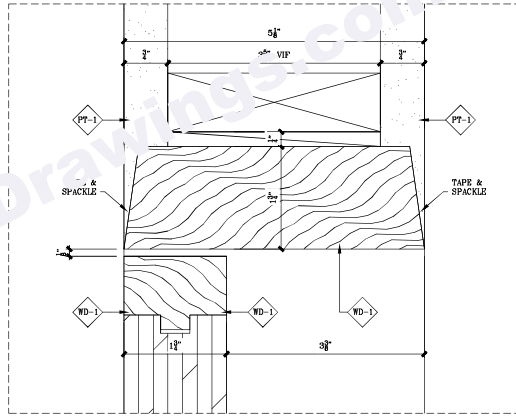
COMPANY: POMPA
12230
12230

MASTER BATH

DWN BY:	SCALE:	DWG. NO.:

PLEASE PROVIDE APPROVED DOOR HARDWARE SET

GC HAS THE INTERIOR DOOR SELECTIONS METAL DOORS HARDWARE BY METAL WORKER AND WE WILL COORDINATE WITH HIM DIRECTLY



SPECIFICATIONS

FINISHES	
WD-1	WOOD FINISH - WHITE OAK
ST-1	STONE - TBD
GL-1	GLASS - TBD
MR-1	MIRROR - TBD
MT-1	METAL FINISH - TBD
PT-1	PLASTER FINISH - TBD

HARDWARE

PLEASE PROVIDE APPROVED DOORS HARDWARE SETS

PLUMBING

PF-1	BATH TUB B.O. - WATERWORKS #S24711 66"X32"X28"
PF-2	THERMOSTATIC MIXER B.O. - VOLA #541C-071, 66 SILVER FINISH
PF-3	THERMOSTATIC MIXER B.O. - VOLA #547-021A, 66 SILVER FINISH
PF-4	TOWEL BAR B.O. - VOLA #719 24", 66 SILVER FINISH
PF-5	ROBE HOOK B.O. - VOLA #717, 66 SILVER FINISH
PF-6	FAUCET B.O. - VOLA #590H, 66 SILVER FINISH
PF-7	SLOTTED PUSH B.O. - VOLA #A82, 66 SILVER FINISH
PF-8	PAPER HOLDER B.O. - VOLA #712-HP, 66 SILVER FINISH
PF-9	TOILET EQUIPMENT B.O. - TBD
PF-10	TOILET B.O. - TBD

APPLIANCE & EXCLUSIONS

APPROVED/NO CHANGES
APPROVED/AS NOTED
REVISE AS NOTED/RESUBMIT

SIGNATURE _____ DATE _____

LEGEND

REVISIONS

NO.	DATE	BY	DESCRIPTION
1			
2			
3			
4			
5			
6			

ABBREVIATIONS

SYMBOL	ABBREVIATION	DESCRIPTION
	AC	AC
	AD	AD
	AG	AG
	AL	AL
	AN	AN
	AO	AO
	AP	AP
	AR	AR
	AS	AS
	AT	AT
	AV	AV
	AW	AW
	AX	AX
	AY	AY
	AZ	AZ
	BA	BA
	BB	BB
	BC	BC
	BD	BD
	BE	BE
	BF	BF
	BG	BG
	BH	BH
	BI	BI
	BJ	BJ
	BK	BK
	BL	BL
	BM	BM
	BN	BN
	BO	BO
	BP	BP
	BQ	BQ
	BR	BR
	BS	BS
	BT	BT
	BV	BV
	BW	BW
	BX	BX
	BY	BY
	BZ	BZ
	CA	CA
	CB	CB
	CC	CC
	CD	CD
	CE	CE
	CF	CF
	CG	CG
	CH	CH
	CI	CI
	CJ	CJ
	CK	CK
	CL	CL
	CM	CM
	CN	CN
	CO	CO
	CP	CP
	CQ	CQ
	CR	CR
	CS	CS
	CT	CT
	CV	CV
	CW	CW
	CX	CX
	CY	CY
	CZ	CZ
	DA	DA
	DB	DB
	DC	DC
	DD	DD
	DE	DE
	DF	DF
	DG	DG
	DH	DH
	DI	DI
	DJ	DJ
	DK	DK
	DL	DL
	DM	DM
	DN	DN
	DO	DO
	DP	DP
	DQ	DQ
	DR	DR
	DS	DS
	DT	DT
	DV	DV
	DW	DW
	DX	DX
	DY	DY
	DZ	DZ
	EA	EA
	EB	EB
	EC	EC
	ED	ED
	EE	EE
	EF	EF
	EG	EG
	EH	EH
	EI	EI
	EJ	EJ
	EK	EK
	EL	EL
	EM	EM
	EN	EN
	EO	EO
	EP	EP
	EQ	EQ
	ER	ER
	ES	ES
	ET	ET
	EV	EV
	EW	EW
	EX	EX
	EY	EY
	EZ	EZ
	FA	FA
	FB	FB
	FC	FC
	FD	FD
	FE	FE
	FF	FF
	FG	FG
	FH	FH
	FI	FI
	FJ	FJ
	FK	FK
	FL	FL
	FM	FM
	FN	FN
	FO	FO
	FP	FP
	FQ	FQ
	FR	FR
	FS	FS
	FT	FT
	FV	FV
	FW	FW
	FX	FX
	FY	FY
	FZ	FZ
	GA	GA
	GB	GB
	GC	GC
	GD	GD
	GE	GE
	GF	GF
	GG	GG
	GH	GH
	GI	GI
	GJ	GJ
	GK	GK
	GL	GL
	GM	GM
	GN	GN
	GO	GO
	GP	GP
	GQ	GQ
	GR	GR
	GS	GS
	GT	GT
	GV	GV
	GW	GW
	GX	GX
	GY	GY
	GZ	GZ
	HA	HA
	HB	HB
	HC	HC
	HD	HD
	HE	HE
	HF	HF
	HG	HG
	HH	HH
	HI	HI
	HJ	HJ
	HK	HK
	HL	HL
	HM	HM
	HN	HN
	HO	HO
	HP	HP
	HQ	HQ
	HR	HR
	HS	HS
	HT	HT
	HV	HV
	HW	HW
	HX	HX
	HY	HY
	HZ	HZ
	IA	IA
	IB	IB
	IC	IC
	ID	ID
	IE	IE
	IF	IF
	IG	IG
	IH	IH
	II	II
	IJ	IJ
	IK	IK
	IL	IL
	IM	IM
	IN	IN
	IO	IO
	IP	IP
	IQ	IQ
	IR	IR
	IS	IS
	IT	IT
	IV	IV
	IW	IW
	IX	IX
	IY	IY
	IZ	IZ
	JA	JA
	JB	JB
	JC	JC
	JD	JD
	JE	JE
	JF	JF
	JG	JG
	JH	JH
	JI	JI
	JJ	JJ
	JK	JK
	JL	JL
	JM	JM
	JN	JN
	JO	JO
	JP	JP
	JQ	JQ
	JR	JR
	JS	JS
	JT	JT
	JV	JV
	JW	JW
	JX	JX
	JY	JY
	JZ	JZ
	KA	KA
	KB	KB
	KC	KC
	KD	KD
	KE	KE
	KF	KF
	KG	KG
	KH	KH
	KI	KI
	KJ	KJ
	KK	KK
	KL	KL
	KM	KM
	KN	KN
	KO	KO
	KP	KP
	KQ	KQ
	KR	KR
	KS	KS
	KT	KT
	KV	KV
	KW	KW
	KX	KX
	KY	KY
	KZ	KZ
	LA	LA
	LB	LB
	LC	LC
	LD	LD
	LE	LE
	LF	LF
	LG	LG
	LH	LH
	LI	LI
	LJ	LJ
	LK	LK
	LL	LL
	LM	LM
	LN	LN
	LO	LO
	LP	LP
	LQ	LQ
	LR	LR
	LS	LS
	LT	LT
	LV	LV
	LW	LW
	LX	LX
	LY	LY
	LZ	LZ
	MA	MA
	MB	MB
	MC	MC
	MD	MD
	ME	ME
	MF	MF
	MG	MG
	MH	MH
	MI	MI
	MJ	MJ
	MK	MK
	ML	ML
	MM	MM
	MN	MN
	MO	MO
	MP	MP
	MQ	MQ
	MR	MR
	MS	MS
	MT	MT
	MV	MV
	MW	MW
	MX	MX
	MY	MY
	MZ	MZ
	NA	NA
	NB	NB
	NC	NC
	ND	ND
	NE	NE
	NF	NF
	NG	NG
	NH	NH
	NI	NI
	NJ	NJ
	NK	NK
	NL	NL
	NM	NM
	NN	NN
	NO	NO
	NP	NP
	NQ	NQ
	NR	NR
	NS	NS
	NT	NT
	NV	NV
	NW	NW
	NX	NX
	NY	NY
	NZ	NZ
	OA	OA
	OB	OB
	OC	OC
	OD	OD
	OE	OE
	OF	OF
	OG	OG
	OH	OH
	OI	OI
	OJ	OJ
	OK	OK
	OL	OL
	OM	OM
	ON	ON
	OO	OO
	OP	OP
	OQ	OQ
	OR	OR
	OS	OS
	OT	OT
	OV	OV
	OW	OW
	OX	OX
	OY	OY
	OZ	OZ
	PA	PA
	PB	PB
	PC	PC
	PD	PD
	PE	PE
	PF	PF
	PG	PG
	PH	PH
	PI	PI
	PJ	PJ
	PK	PK
	PL	PL
	PM	PM
	PN	PN
	PO	PO
	PP	PP
	PQ	PQ
	PR	PR
	PS	PS
	PT	PT
	PV	PV
	PW	PW
	PX	PX
	PY	PY
	PZ	PZ
	QA	QA
	QB	QB
	QC	QC
	QD	QD
	QE	QE
	QF	QF
	QG	QG
	QH	QH
	QI	QI

